

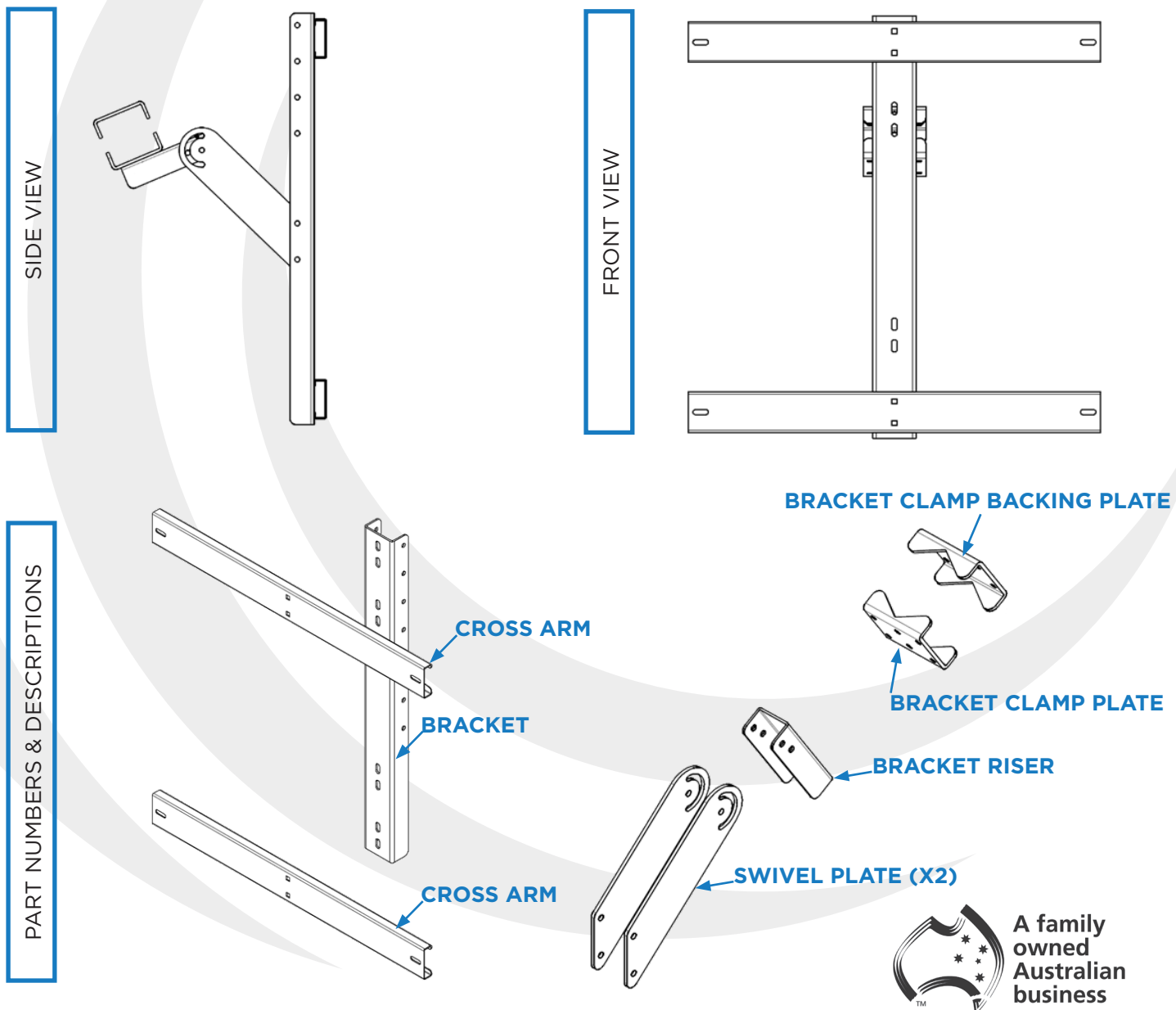
VALEN SOLAR PANEL BRACKET

65-85W Assembly Instruction Manual

Thank you for purchasing a quality Valen Solar Panel Bracket!

The Valen Bracket has many advantages such as:

- An adjustable angle bracket allowing you to angle the solar panel for max. performance
- Optional mounting arrangements for mid-pole or pole top mounting
- Galvanised for corrosion control
- Supplied in a kit form to ease transportation



Instructions:

1. Insert 4x M8 180mm bolts into Bracket Clamp Back Plate and Bracket Clamp Plate – this is part of the pole mount.
2. Join Bracket Clamp Plate and Bracket Riser together with 2x M8 20mm bolts to the centre of Bracket Clamp Plate (Bottom End)
3. Join the Swivel Plates to either side of the Bracket Riser using 4x M8 20mm bolts (Join on the Side)
4. Do NOT over tighten as this will be used to set your angle later.
5. Join the top end of the Swivel Plates on to the sides of the Bracket Arm using 4x M8 20mm bolts.
6. Bolt the Cross Arms to the top and bottom of the Bracket Arm ensuring that the flat sides of the Cross Arms face out. Use 4x M8 40mm bolts.
7. Fasten the solar panel to the bracket on the Cross Arms using 4x M8 20mm 16mm bolts.
8. Attach the bracket and panel to the pole and tighten bolts. Tighten bolts on the Swivel Plates to ensure the correct angle is achieved.

PLEASE NOTE:

Each Bolt Assembly consists of:

- 1x Bolt
- 1x Nyloc
- 2x Flat Washers

Fasteners supplied with each Valen Bracket:

- 4 of, M8 x 180mm Bolt Assemblies
- 4 of, M8 x 40mm Bolt Assemblies
- 14 of, M8 x 20mm Bolt Assemblies
- 22 of, Nyloc
- 44 of, Flat Washers

PLEASE NOTE:

Standard Bracket Clamp Plate and Bracket Clamp Backing Plate supplied suits a max DIA 100mm Pole. Please specify if a DIA 70-100mm clamp is required.

FOR FURTHER TECHNICAL SUPPORT PLEASE CONTACT

THE REGAL ELECTRO TEAM ON:

1300 734 253

sales@regalelectro.com.au

VALEN 65/85W UNIVERSAL SOLAR PANEL BRACKET ASSEMBLY INSTRUCTIONS

SHOWN IN CENTRE MOUNT CONFIGURATION

